

NCR-304-VHR

3MP Short Range LPR Camera,
Smart LPR Modes, P-Iris, True WDR



Main Features

- 30fps@3MP, Full HD1080P @60fps
- Smart LPR Modes
- Capture Plate Distance 3M~10M
- Car Speed 50KM/h max.
- Advance P-Iris
- 100 dB True WDR

ONVIF



Product Overview

NEXCOM introduces new IR vandal bullet type IP camera, offering outstanding 3MP image quality no matter car is moving at high speed or it is rainy during day & night. NCR-304-VHR IP Camera is suitable for building surveillance solutions for parking, gate entrances, barriers, etc. It is able to overcome variation light condition and capture plates clearly within 3M~10M distances when cars are moving. Smart LPR Modes are available for clients to attain optimized result during the whole day.

Megapixel @ 60 fps

NexCam supports high-performance H.264/MJPEG compression technology and offers extra smooth video at up to 60 fps at 1080p, and 30fps @ 3MP. Furthermore, Video ROI [Region Of Interest] function reduce bandwidth and storage requirement, providing users with the best option in bandwidth flexibility and storage efficiency.

Smart LPR Modes

Smart LPR Modes are available with customized and optimized different parameter settings in order to meet most variations in light, weather and other environmental factors during a day. It is providing clients with more flexibility to attain optimized image results.

When car is moving at high speed



When headlight of car is opened



License Plate Recognition

The technology helps to identify the clear plate of the moving cars during day and night, which has a wide number of applications including traffic enforcement, access control, stolen car identification, vehicle tracking and parking. NEXCOM offers the ready-to-go system and clear image for License Plate Recognition software to get capture rate.

Zoom Focus

Zoom focus function allows users to remotely control focus and zoom to simplify installation and reduce labor cost. 3-10 mm focal length is available with feed-back potentiometers for auto-positioning applications. Post-installation adjustment can be done quickly and painlessly, without the need to tear down and reinstall the camera.

Specifications

Camera General Information

| | |
|------------------------|--|
| Image Sensor | 1/3" 3MP True WDR progressive scan CMOS sensor |
| Minimum Illumination | B/W 0 lux/Color 0.1 lux |
| Lens | Motorized (3-10mm, F1.4) lens |
| Field of View | Horizontal: 33.6°~81.9° Vertical: 25.5°~62.6° Diagonal: 42.6°~103.1° |
| Iris Type | P-Iris |
| Day and Night | YES (True D/N) |
| IR Distance | Effective up to 30M |
| Target Capture Plate | Reflective |
| Capture Plate Distance | 3M~10M |
| Car Moving Speed | 0~50KM/h |
| IR Wavelength | 850nm |
| ICR | YES |
| WDR | YES (True WDR) |
| Image Enhance | Brightness, Contrast, Saturation, Sharpness, Mirror, Flip, Day/Night, Anti-flicker,AWB |

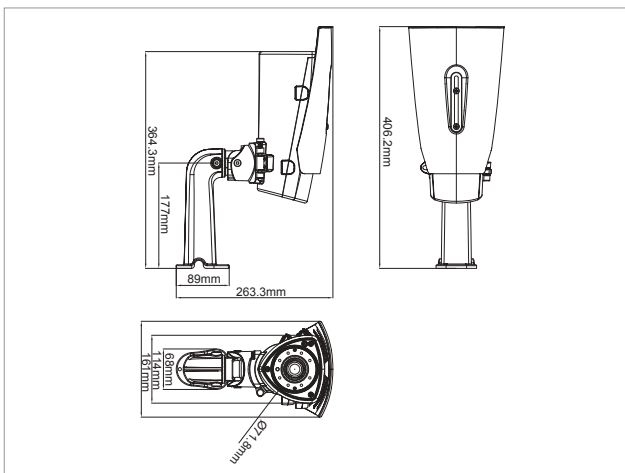
Video

| | |
|-------------------|--|
| Video Compression | H.264/M-JPEG |
| Video Streaming | Triple streaming |
| Video Resolution | 2048x1536 to 320x240 |
| Video Quality | VBR/CBR |
| Frame Rate | 2048x1536 @30 fps 1920x1080 @60 fps 1280x720 @30 fps 720x576 @30 fps 720x480 @30 fps 640x480 @30 fps 320x240 @30 fps |

Audio

| | |
|-------------------|--------------------|
| Audio Streaming | Two-way |
| Audio Compression | G.711 8KHz/16 bits |
| Audio Input | Line-in |
| Audio Output | Line-out |

Dimension Drawing



Network

| | |
|---------------------|---|
| Interface | 10/100/1000 Mbps Ethernet, RJ-45 |
| Supported Protocols | HTTP, TCP/IP, UDP, RTP, RTSP, FTP, SMTP, DHCP, DNS, DDNS, NTP, uPnP, ONVIF, IPv4/v6 |
| Browser | Internet Explorer (support up to IE 10), Chrome, Firefox, Safari |
| Security | Multi-level passwords/HTTP encryption |

I/O Connector

| | |
|--------------------|----------------------|
| Audio in/ out Port | 3.5 mm phone jack x2 |
| D I/O | DIX1, DOx1 |
| RS485 | N/A |
| Micro SD Card Slot | YES |
| RJ45 | YES |

Event Management

| | |
|----------------|---|
| Event Trigger | Motion detection, DI |
| Notifications | Trigger alarm output, email/FTP and record video to PC or SD card |
| Post Recording | YES |
| Pre Recording | YES |

Power

| | |
|-------|-----------------------------|
| DC/AC | DC12V/AC 24V terminal block |
| PoE | YES/IEEE 802.3af |

General

| | |
|-------------------|---|
| Power Consumption | 13W max. |
| Weight | 2005g |
| Dimension | 406.2mm (D) x 161mm (W) x 263.3mm (H) |
| Operating Temp. | -40°C ~ 60°C/-40°F ~ 140°F |
| Humidity | 90%RH (no condensation) |
| Certification | CE/FCC |
| Vandal Resistant | IK10 |
| Weather Proof | IP66/IP67 |
| Application | SDK available for application development |

Packaging Information

| | |
|-----------|-----------------------------------|
| NWT | 2005g |
| GWT | 2091g |
| Dimension | 311mm (D) x 286mm (W) x 178mm (H) |

Ordering Information

- ◆ NCr-304-VHR (P/N: TBD)